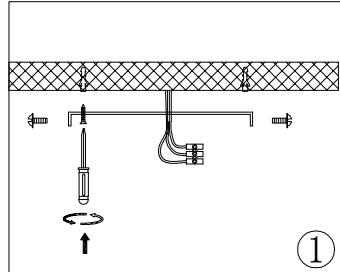
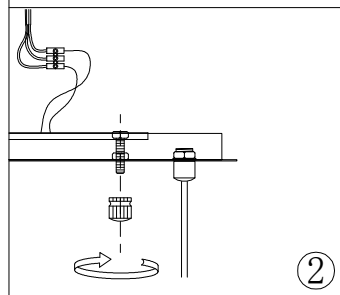


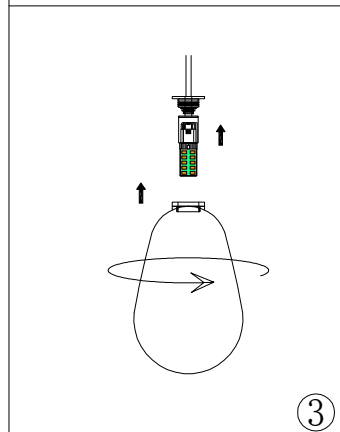
162FL-62022 G9*2



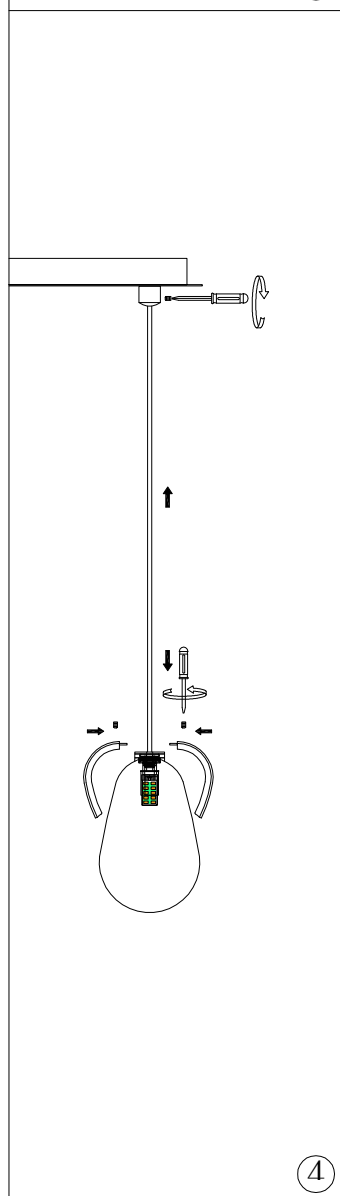
①



②



③



④

